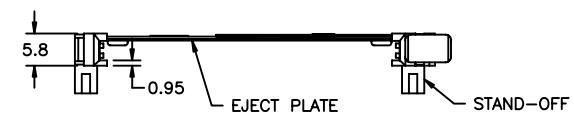
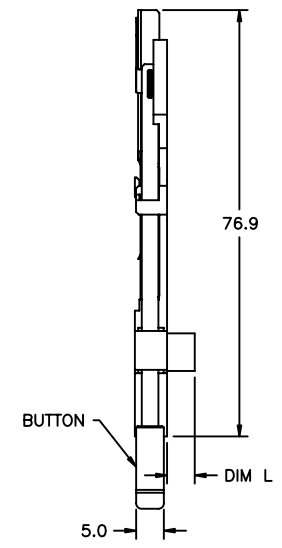
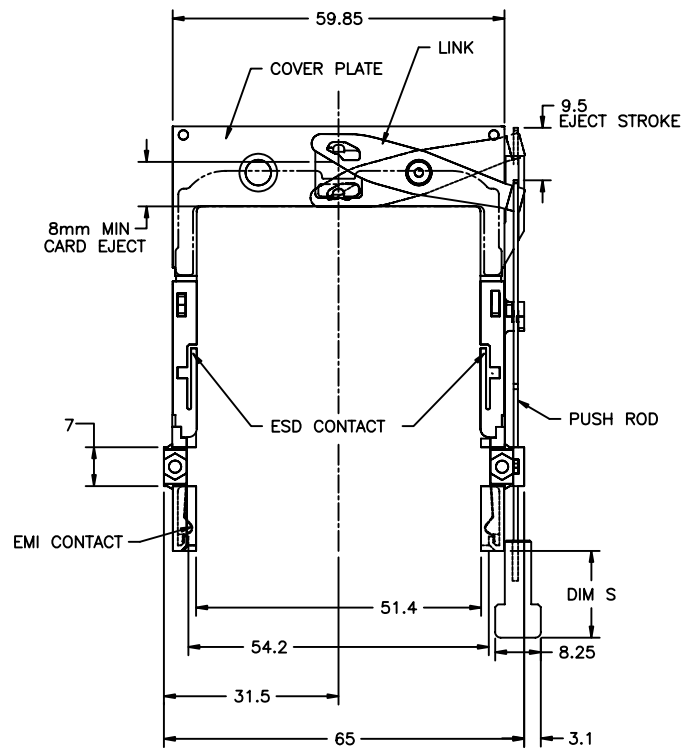


FCI CONFIDENTIAL

FCI

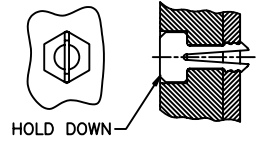
This document is the property of and embodies CONFIDENTIAL and PROPRIETARY information of FCI. No part of the information shown on this document may be used in any way or disclosed to others without the written consent of FCI. Copyright FCI.

PRODUCT NO. NOTE ⑤	STAND-OFF DIM L	DIM S	BUTTON COLOR
95079-00CA	0	13	BLACK
95079-02CA	2		
95079-02CALF	2		
95079-04CA	4		
95079-05CA	5	15.6	BLACK
95079-00DA	0		
95079-02DA	2		
95079-04DA	4		
95079-05DA	5	21	BLACK
95079-00FA	0		
95079-02FA	2		
95079-04FA	4		
95079-05FA	5	13	NATURAL
95079-00CH	0		
95079-02CH	2		
95079-04CH	4		
95079-05CH	5	15.6	NATURAL
95079-00DH	0		
95079-02DH	2		
95079-04DH	4		
95079-05DH	5	21	NATURAL
95079-00FH	0		
95079-02FH	2		
95079-04FH	4		
95079-05FH	5		



NOTES:

- EJECT PLATE TO MOVE ALONG INSIDE WALL OF COVER PLATE SMOOTHLY AFTER ASSEMBLING WITH HEADER.
- MATERIAL:**
PLASTIC GUIDES: POLYPHTHARAMIDE UL94V-0 BLACK
COVER PLATE: STAINLESS STEEL
EMI CONTACT: PHOSPHOR BRONZE
- FINISH:**
EMI CONTACT:
CONTACT AREA: 0.5um Au
UNDER PLATING: 2.0um Ni
- ADD "H" TO PART NUMBER FOR OPTIONAL HOLD DOWN (2 PER ASSEMBLY).



5 RECOMMENDED SCREW TORQUE: 1.0 TO 1.5 MAX in-lbs. (1.2-1.7 cm-kgs).

mat'l. code		surface		tolerance		projection		product family	
ltr ecn no dr date		tolerances unless otherwise specified		±0.15		MM		title	
F	V91417	CGC	7/2/99	angles	linear	scale		NARROW BODY FRONT EJECT TYPE 123 MECHANISM ASS'Y	
G	V03-0522	WL	05/29/03	±2'				dwg no 95079 sheet 1 of 3 size A4	
H	T03-0485	WL	11/03/03					type CUSTOMER Drawing	
J	N06-0034	M Z	02/13/06	chr	Mike Zhou	05/25/06			
K	N06-0135	M Z	05/25/06	engr	Mike Zhou	05/25/06			
L	N06-0110	M Z	06/29/06	chr	Mike Zhou	05/25/06			
				appd	Qin David	05/25/06			
sheet index	revision sheet	L	K	A					
		1	2	3					

PDM: Rev:L

STATUS: Released

Printed: Feb 06, 2008

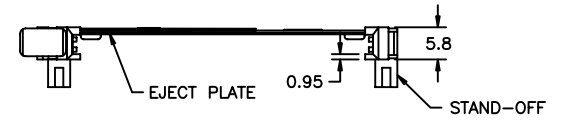
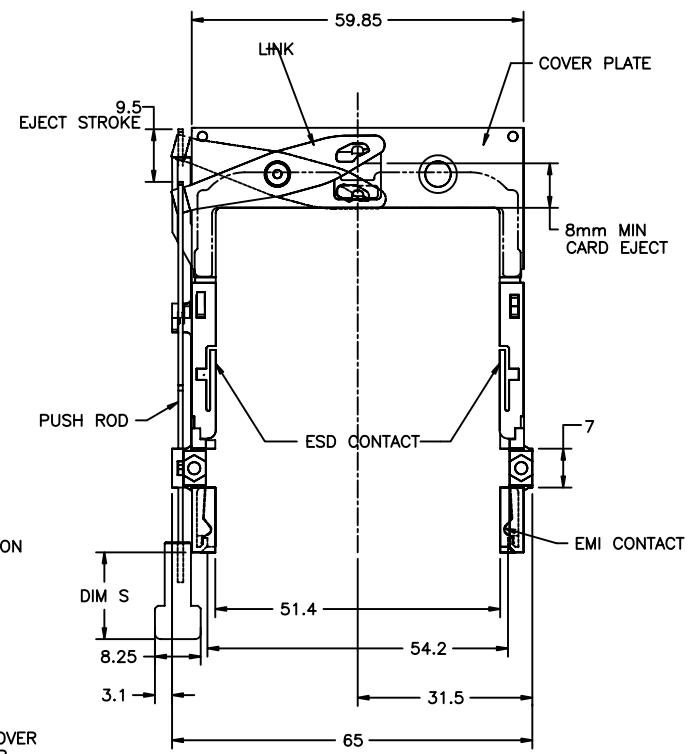
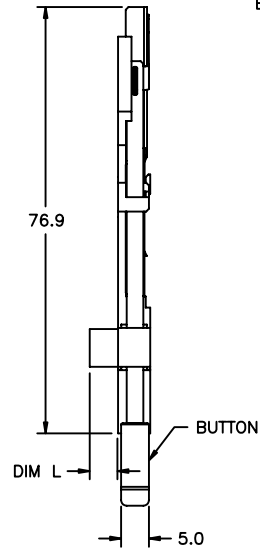
FCI CONFIDENTIAL

FCI

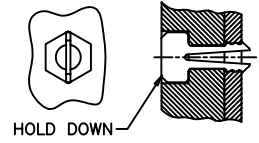
This document is the property of and embodies CONFIDENTIAL and PROPRIETARY information of FCI. No part of the information shown on this document may be used in any way or disclosed to others without the written consent of FCI. Copyright FCI.

FCIconnect.com

PRODUCT NO. NOTE ⑤	STAND-OFF DIM L	DIM S	BUTTON COLOR
95079-10CA	0	13	BLACK
95079-10CALF	0		
95079-12CA	2		
95079-14CA	4		
95079-15CA	5		
95079-15CAH	5		
95079-10DA	0	15.6	BLACK
95079-12DA	2		
95079-14DA	4		
95079-15DA	5		
95079-10FA	0	21	BLACK
95079-12FA	2		
95079-14FA	4		
95079-15FA	5		
95079-10CH	0	13	NATURAL
95079-12CH	2		
95079-14CH	4		
95079-15CH	5		
95079-10DH	0		
95079-12DH	2		
95079-14DH	4		
95079-15DH	5		
95079-10FH	0	21	NATURAL
95079-12FH	2		
95079-14FH	4		
95079-15FH	5		



- NOTES:
- EJECT PLATE TO MOVE ALONG INSIDE WALL OF COVER PLATE SMOOTHLY AFTER ASSEMBLING WITH HEADER.
 - MATERIAL:
PLASTIC GUIDES: POLYPHTHARAMIDE UL94V-0 BLACK
COVER PLATE: STAINLESS STEEL
EMI CONTACT: PHOSPHOR BRONZE
 - FINISH:
EMI CONTACT:
CONTACT AREA: 0.5um Au
UNDER PLATING: 2.0um Ni
 - ADD "H" TO PART NUMBER FOR OPTIONAL HOLD DOWN (2 PER ASSEMBLY).



- RECOMMENDED SCREW TORQUE: 1.0 TO 1.5 MAX in-lbs. (1.2-1.7 cm-kgs).

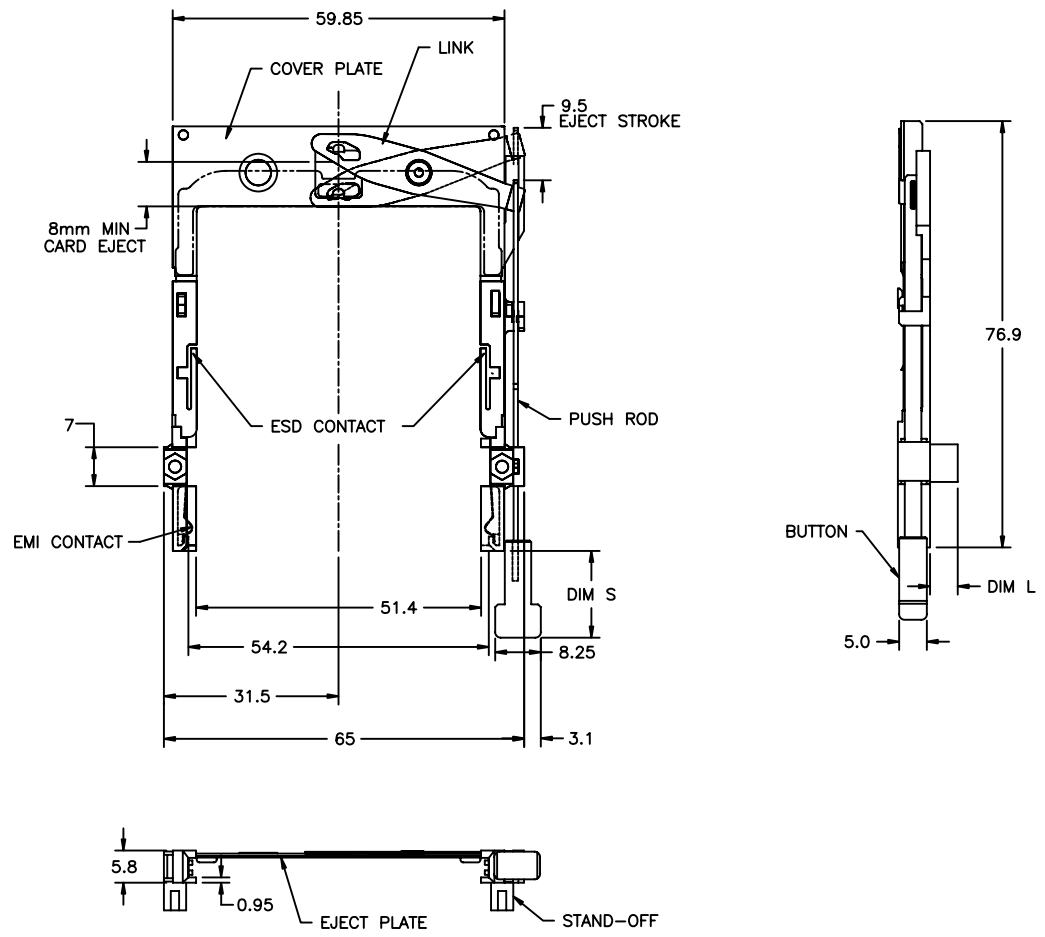
mat'l. code		surface		tolerance		projection		product family	
ltr ecn no dr date		tolerances unless otherwise specified		±0.15		MM		title	
K		angles linear		±2'		scale		NARROW BODY FRONT EJECT TYPE 123 MECHANISM ASS'Y	
		dr Mike Zhou 05/25'06		engr Mike Zhou 05/25'06		chr Mike Zhou 05/25'06		dwg no sheet 2 of 3 size	
		appx Qin David 05/25'06				FCI		95079 A4	
sheet index		revision sheet						type CUSTOMER Drawing	

FCI CONFIDENTIAL

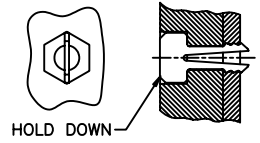
FCI
fciconnect.com

This document is the property of and embodies CONFIDENTIAL and PROPRIETARY information of FCI. No part of the information shown on this document may be used in any way or disclosed to others without the written consent of FCI. Copyright FCI.

PRODUCT NO. NOTE ⑤	STAND-OFF DIM L	DIM S	BUTTON COLOR
95079-00MCA	0	13	BLACK



- NOTES:
- EJECT PLATE TO MOVE ALONG INSIDE WALL OF COVER PLATE SMOOTHLY AFTER ASSEMBLING WITH HEADER.
 - MATERIAL:
PLASTIC GUIDES: POLYPHTHARAMIDE UL94V-0 BLACK
COVER PLATE: STAINLESS STEEL
EMI CONTACT: PHOSPHOR BRONZE
 - FINISH:
EMI CONTACT:
CONTACT AREA: 0.5um Au
UNDER PLATING: 2.0um Ni
 - ④ ADD "H" TO PART NUMBER FOR OPTIONAL HOLD DOWN (2 PER ASSEMBLY).



- RECOMMENDED SCREW TORQUE: 1.0 TO 1.5 MAX in-lbs. (1.2-1.7 cm-kgs).

mat'l. code		surface		tolerance		projection		product family	
ltr ecn no dr date		tolerances unless otherwise specified		±0.15		MM		title	
A		angles linear		±2'		scale		NARROW BODY FRONT EJECT TYPE 123 MECHANISM ASS'Y	
		clr Mike Zhou 05/25'06		engr Mike Zhou 05/25'06		chr Mike Zhou 05/25'06		dwg no 95079 sheet 3 of 3 size A4	
		appx Qin David 05/25'06		FCI		type CUSTOMER		Drawing	
sheet index	revision sheet								